

# TurboSweep<sup>®</sup>

Automatic Pool Cleaner

## INSTALLATION & OPERATING INSTRUCTIONS

**IMPORTANT: PLEASE  
READ THIS DOCUMENT  
CAREFULLY**

**Please pass these  
instructions on to the  
operator of this equipment**



Email: [sales@davey.com.au](mailto:sales@davey.com.au)  
Web: [monarchseries.com.au](http://monarchseries.com.au)

# TurboSweep<sup>®</sup>

## Automatic Pool Cleaner

Congratulations on the purchase of your TurboSweep automatic pool cleaner. Your new TurboSweep has been designed to keep your swimming pool clean and free of dust, small leaves and debris, whilst you simply relax and enjoy swimming in a clean pool!

### INDEX:

Important Note & Packing List.....	2
Flow Rate Requirement.....	3
Your TurboSweep Pool Cleaner.....	3
Pre-Installation of your TurboSweep Pool Cleaner.....	4
Pre-Set Up .....	6
Set Up .....	6
Fine Tuning .....	7
Maintenance Tips & Trouble Shooting .....	9
Davey Water Products Guarantee for Australia & New Zealand .....	10

### IMPORTANT NOTE:

**PLEASE READ THESE INSTALLATION & OPERATING INSTRUCTIONS.** To get the best performance from your TurboSweep it is essential that you set up the pool cleaner properly.

### PACKING LIST:

Included with your TurboSweep are the following parts:

1. TurboSweep Head Unit
2. Hose Weight
3. Hose Protector
4. 12 x Hose Sections
5. Speed Control Valve
6. Set of extra Low Profile Tyres for tiled & slippery pool finishes

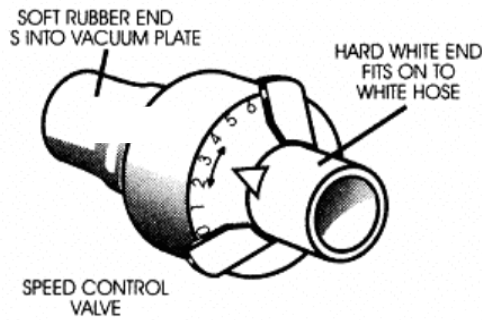
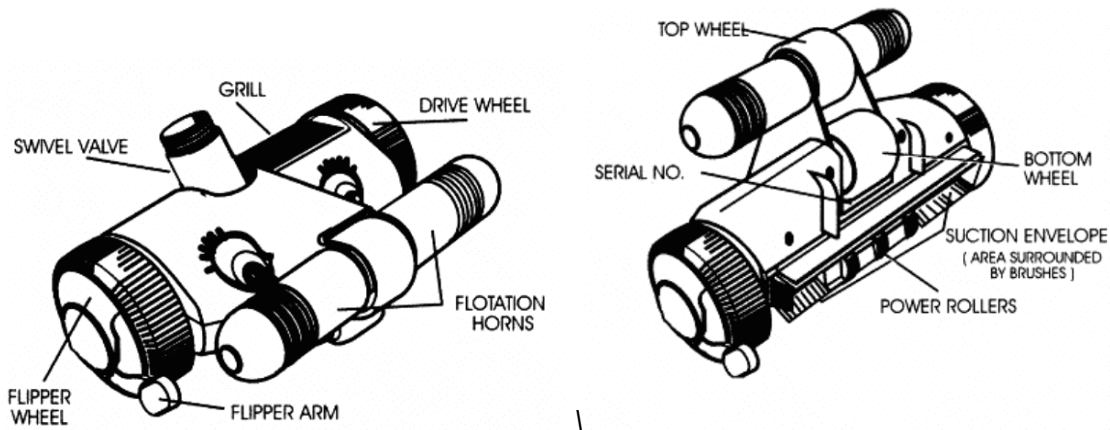
## **FLOW RATE REQUIREMENT:**

For optimum cleaning performance, your TurboSweep automatic pool cleaner requires 140-200 litres per minute (lpm) of flow from the pool circulation pump.

## **YOUR TURBOSWEEP POOL CLEANER:**

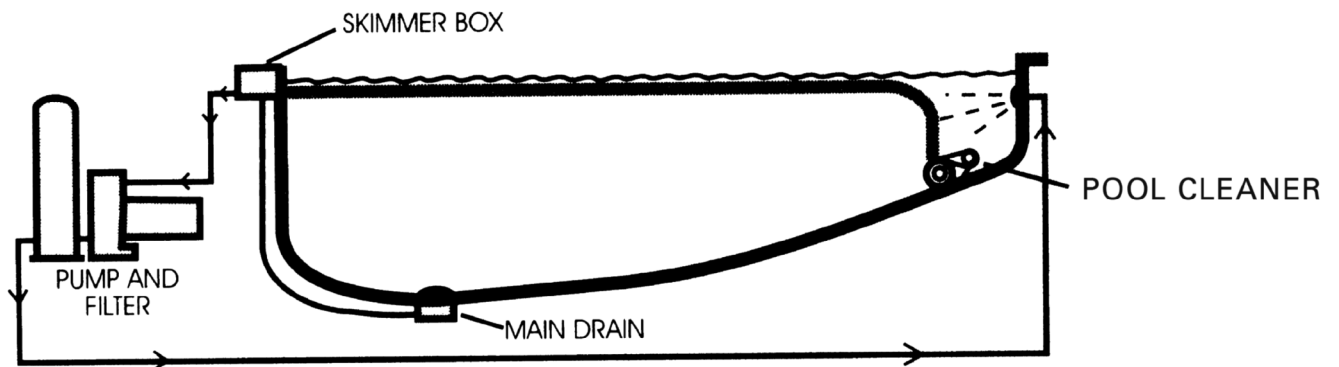
- 1. TurboSweep Head Unit:** The TurboSweep operates using vacuum flow from the pump suction, to drive a simple turbine inside the head of the unit, which then drives the wheels of the cleaner. The TurboSweep has reversing gears to turn and move the cleaner in a random fashion.
- 2. Drive Wheel:** Is the wheel powered by the turbine that drives the cleaner. This wheel always works in a forward motion.
- 3. Flipper Wheel:** This wheel includes the “flipper arm” and reverses randomly to turn the TurboSweep around the pool
- 4. Flipper Arm:** is designed to lift and reverse the TurboSweep away from obstacles.
- 5. Swivel Valve:** The swivel connects to the hose and allows the TurboSweep head unit to rotate, allowing a random motion around the pool.
- 6. Top / Bottom Wheels:** The wheels allow the TurboSweep to negotiate pool walls and also provide counter-weights.
- 7. Suction Envelope / Brushes:** The suction envelope is the area under the cleaner where the vacuum action takes place. It is surrounded by brushes that gently sweep fine dust and dirt into the extra large suction opening.
- 8. Powered Roller:** The powered roller turns at half the speed of the main wheels and is about 4mm clear of the floor. They assist in overcoming obstacles which are commonly found in swimming pools such as main drains, transition ledges and convex curves on steps or swim-outs. They are also helpful for high spots in the floor of the pool.
- 9. Speed Control Valve:** The speed control allows you to adjust your TurboSweep to the flow rate of your pump for optimum cleaning performance.

TurboSweep Head Unit:  
Top & Bottom View -



**PRE-INSTALLATION OF YOUR TURBOSWEEP POOL CLEANER:**

Before you begin to install the TurboSweep it is important you have a basic understanding of how the pool water flows from the skimmer, through the pool pump and filter returning to the pool. Below is a diagram of a typical pool with standard equipment showing how the water usually flows. If you are still unsure, simply refer to your local Davey or Monarch Series Dealer for assistance.



**Before installing the TurboSweep:**

1. Clean the filter
2. Empty the skimmer baskets
3. Completely close off main drain or second skimmer box
4. Ensure the pool water is chemically balanced

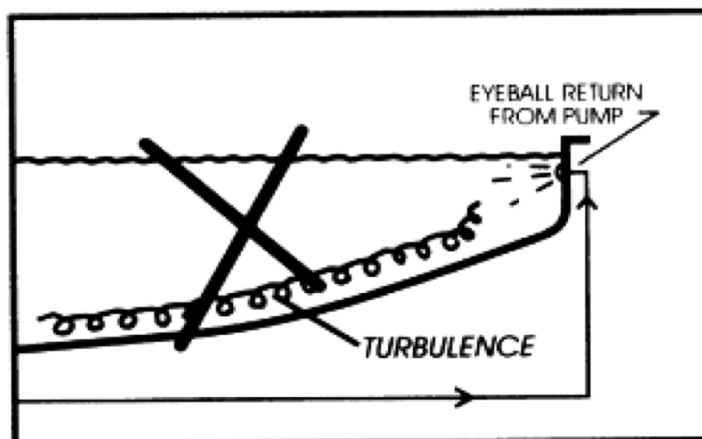
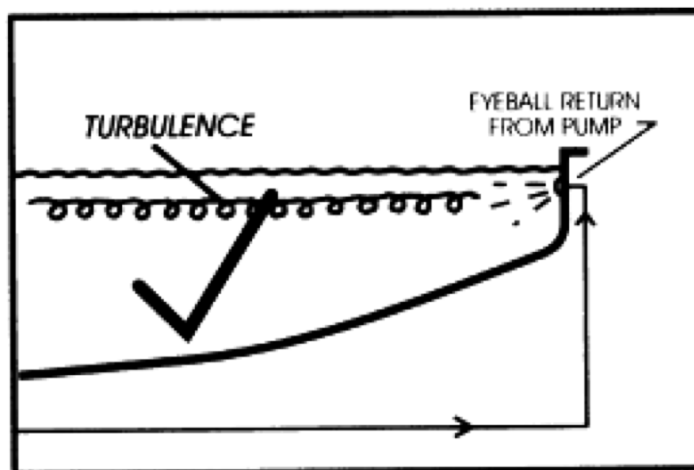
**NOTE:** Some skimmer boxes require the use of an expanding or threaded plug to effectively close off the main drain line. If you are unsure, simply ask to your local pool dealer.

**Turbulence:**

The water returning to the pool via the eyeball returns can sometimes cause turbulence along the floor or the surface of the pool. This can cause the TurboSweep to 'rear up' or can influence the free movement of the cleaner hose.

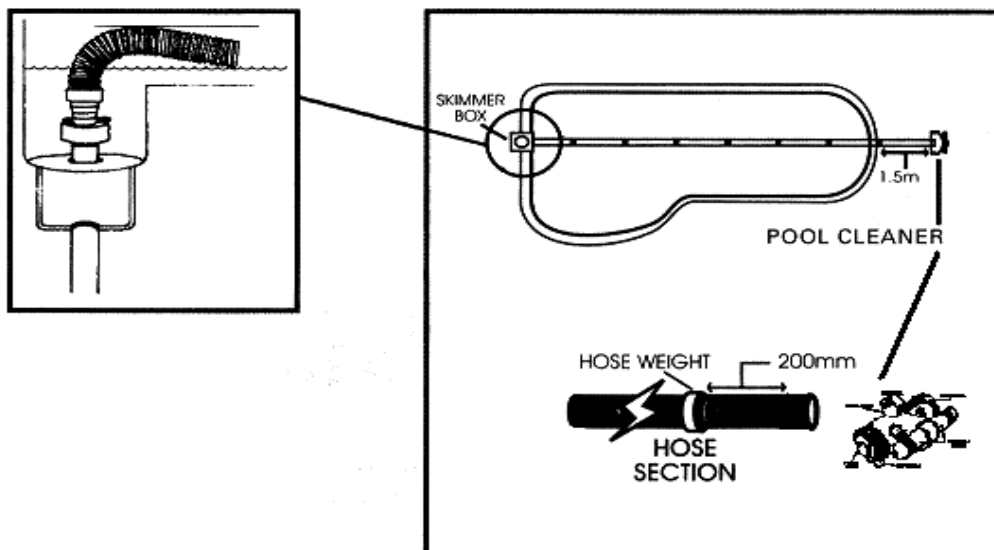
**IMPORTANT:** Adjust the eyeballs if necessary so that the water returning to the pool causes as little turbulence on the floor or surface of the pool as possible.

**TIP:** To reduce turbulence, the 'eyeballs' at the centre of the pool return nozzles can be removed and replaced with 'deflector eyeballs' that are available from most pool shops.



### PRE-SET UP:

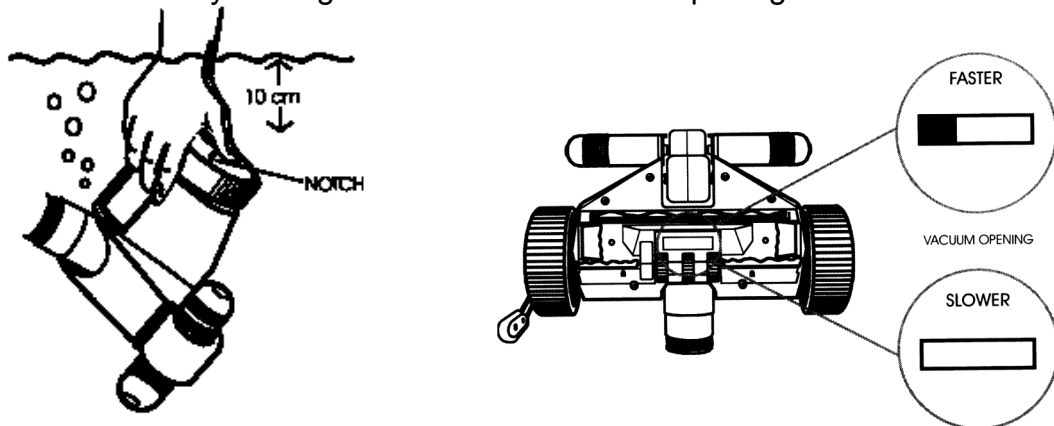
- Firmly connect the hose sections together with enough lengths to reach from the skimmer box to the furthest point in the pool, plus an additional 1.5 meters.
- Slide the hose weight over the first (leader) hose length that will connect onto the cleaner head and position it approximately 20cm up from the head. Push the female end of the hose firmly into the swivel socket on the head of the TurboSweep.
- Attach the other (male) end of the hose to the speed control valve by simply pushing the hose firmly over the hard spigot end of the valve.
- Submerge the TurboSweep head unit under water (while the pump is 'OFF') and rotate it to dispel any air in the head.
- Feed the cleaner hose vertically into the pool so that it fills with water. **Tip:** Place the end of the hose over an eyeball return jet to quickly fill the hose with water. Place the speed control valve on the '0' setting and push the rubber end of the valve firmly into the vacuum plate on your skimmer box.



### SET UP:

- Switch the pool pump 'ON'
- Turn the body of the speed control valve clockwise from the '0' position until the pool cleaner is moving along at approximately 9 metres per minute. At this speed the drive wheel is turning at approximately 24 revolutions per minute.
  - Check the revolutions by holding the pool cleaner under the water with the drive wheel facing up, and count the number of revolutions of the raised notch on the drive wheel.

- If the pool cleaner is moving too slowly (and the main drain line and any second skimmers are fully closed), all leaf baskets clear and the filter clean, the speed can be increased by closing the size of the vacuum opening as shown.



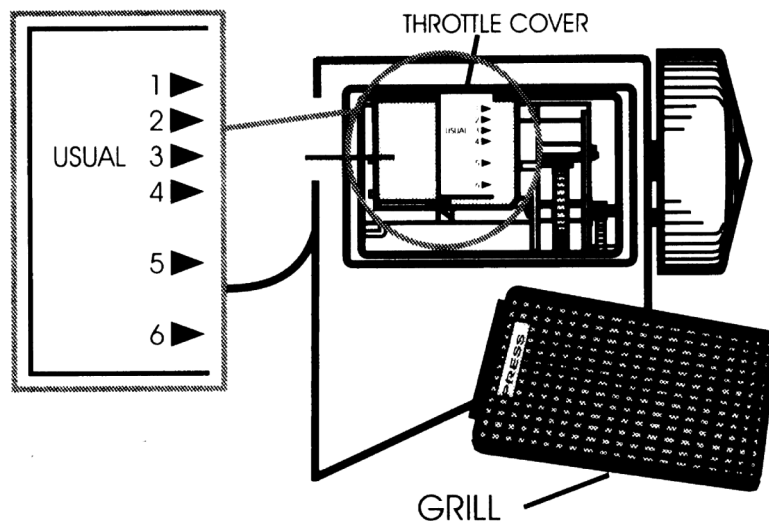
**TIP:** The TurboSweep can continue to operate effectively at speeds as low as 6-7 metres per minute. **DO NOT** exceed 24rpm of the left hand drive wheel, check as per instructions above. If the TurboSweep travels too fast it will tend to brush light debris aside and rear up, reducing vacuum power. If it travels too slowly, the TurboSweep may stall or take too long to clean the pool.

#### FINE TUNING:

##### 1. TurboSweep Running Slowly:

If after adjusting the vacuum opening the TurboSweep is still travelling too slowly, the speed can be increased by changing the position of the red turbine throttle located under the grill to position 4 or 5.

To access the turbine, simply push firmly on the grill at the location labelled "PRESS" and the grill will flip open.

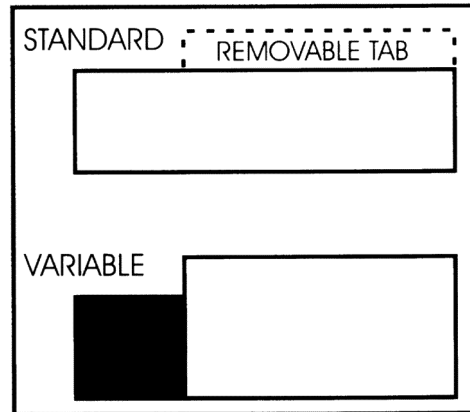


## 2. Not Enough Traction:

If the TurboSweep is losing traction and not turning correctly, the traction can be increased by adjusting the red turbine throttle to position 1 or 2, and then resetting the forward speed to 24 revolutions per minute. This will provide more traction to the wheels.

## 3. Variable Size Vacuum Opening:

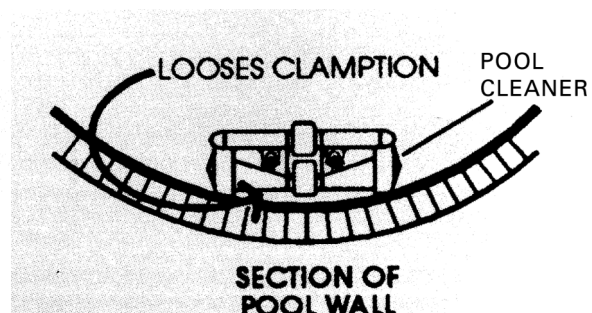
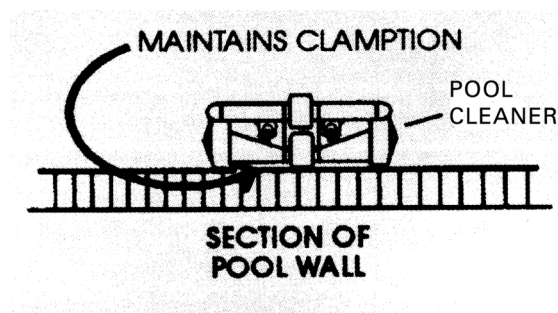
To enable the TurboSweep to remove palm nuts, acorns or similar types of debris, the shape of the vacuum opening can be altered by removing the tab on the swivel valve and adjusting the swivel valve insert as shown.



## 4. Wall Climbing:

Most dirt, leaves and debris settles on the floor of the pool, however if you would like your TurboSweep to climb the walls of your pool you can adjust the red turbine throttle (located under the grill) to position 1 and set the forward speed to 22-24 rpm.

**NOTE:** In order to climb walls, the TurboSweep requires the correct amount of suction and traction (Refer to section "Flow Rate Requirement" page 3). It also requires the suction envelope to be in full contact with the wall or floor of the pool. If the wall is curved inwards or outwards it will be difficult for the TurboSweep to maintain both suction and traction.



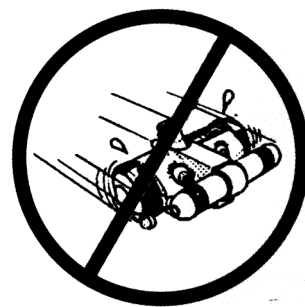
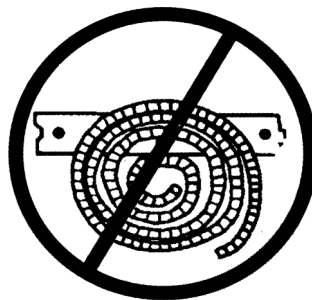
## 5. Traction:

The finish on some pools can also make it difficult to maintain suction and traction such as fully tiled pools or pools with a coarse pebble finish. The TurboSweep is equipped with a spare set of low profile tyres designed for slippery surfaces such as tiles or fibreglass pools. Remove the standard tyres and replace with the low profile tyres if traction is a problem.

## MAINTENANCE & TROUBLE SHOOTING TIPS:

### DO NOT EVER:

1. Put any oil, grease or other lubricants on the TurboSweep Body or moving parts. Water is the only lubricant required.
2. Store cleaner hose in a coiled position. It is manufactured using special materials which enables hose memory and may cause the hose to lie awkwardly on the water preventing the TurboSweep from moving freely around the pool.
3. Operate the TurboSweep constantly at a forward speed above 24 rpm, this drives the TurboSweep much harder than required and may cause unnecessary wear and tear not covered by warranty.
4. Remove TurboSweep from the pool by the hose. Whilst full of water the cleaner is heavy and may fall off the hose and cause damage.



### Maintenance and Tips:

- **Flipper Arm:** The flipper arm boot should be replaced when worn to prevent damage to the pool surface.
- **Ladder (Above Ground Pools):** should be removed when the TurboSweep is operating, or an obstacle placed on pool floor on both sides of the ladder feet to prevent TurboSweep being caught behind it.
- **Vacuum Opening:** Dirt may lock the adjustment over time. Clean periodically.
- **Operating Time:** It is good practice to operate your TurboSweep for the amount of time required to clean your pool only. However, no damage will be incurred if the TurboSweep is connected to the filtration system all the time.
- **Remove TurboSweep pool cleaner when backwashing:** To allow optimum flow rate through filter and to avoid debris clogging the filter backwash system.
- **Protect the TurboSweep:** When not in use, store in a safe, shaded area. If “shocking” your pool with chemicals, remove the cleaner to avoid chemical damage

- **Avoid Sand & Debris Entering the top GRILL:** If the pool surrounds are not grassed or paved yet, utilise your TurboSweep only when your pool requires vacuuming and remove TurboSweep from the pool when vacuuming is complete. Sand and debris is easily vacuumed from the floor of the pool, however if sand falls on top of the TurboSweep and enters via the grill it may cause the wheels to lock. If sand & debris from around an unfinished pool does fall on top of the TurboSweep and locks the wheels, remove the grill and try unlocking them by rotating the large gear wheel inside whilst hosing with a jet of water from a garden hose.

### **Trouble Shooting:**

**Problem:** TurboSweep slows down or stops:

Check the following:

- Clear skimmer and pump baskets
- Cleaner hose is correctly assembled
- Filter is clean / backwashed
- Vacuum plate is correctly seated
- Speed control valve is seated correctly in vacuum plate
- Main drain and second skimmer (if applicable) are closed
- Obstruction in cleaner or hose (remove cleaner grill and gently flush with water from a garden hose)

**Problem:** TurboSweep will not turn away from wall or clean all of pool floor:

Check the following:

- Hose too short, add more lengths as required (refer pg 6, SET-UP)
- Hose tangled. The swivel valve may be jammed. Flush swivel valve with garden hose or dismantle and remove obstruction
- Hose been stored in coiled position, straighten hose and pour hot water over it to relieve hose memory
- Algae on bottom of pool, chemically balance pool water
- Reduce water flow

**Problem:** TurboSweep operates with wheel off the ground or floats off the pool floor:

Check the following:

- Forward speed too fast, fine tune as per instructions or rotate cleaner head several times under water to remove trapped air
- Pool in excess of 2m deep, add extra length of hose

*TIP: If you continue to experience difficulties in the operation of your TurboSweep please refer to your local TurboSweep Dealer for assistance.*

## **DAVEY WATER PRODUCTS GUARANTEE FOR AUSTRALIA & NEW ZEALAND**

This Davey product is guaranteed to be free of material or manufacturing defects at the time of original purchase. Should the head unit or hose fail as a result of such defects within 2 years from the original purchase, the product will be repaired free of charge. NOTE: Rubber tyres, boot and floats are guaranteed for 1 year.

### **TERMS AND CONDITIONS**

1. This guarantee applies to all states and territories of Australia and New Zealand only and is subject to the provisions of the Trade Practices Act (Aust.), the Goods and Consumer Protection Legislation of the various Australian states and the Consumers Guarantee Act 1993 (NZ) as applicable.
2. The guarantee period commences on the date of original purchase of the equipment. Evidence of this date of original purchase must be provided when claiming repairs under guarantee. It is recommended you retain all receipts in a safe place.
3. This guarantee covers parts and workshop labour only. Goods should be forwarded, with proof of date of original purchase, to an Authorised Davey Service Centre freight paid. Any travel and removal/reinstalling charges for goods repaired infield will be to the owners account. Guarantee may be denied on goods not readily accessible for service personnel or mounted on exterior walls above single storey level.
4. The guarantee for commercial applications such as hotels, motels, caravan parks, health clubs, public pools etc. is for 12 months (1 year) only, subject to equipment sizing in accordance with Davey's recommendations.
5. This guarantee is subject to due compliance by the original purchaser with all directions and conditions set out in the Installation and Operating Instructions. Failure to comply with these instructions, damage or breakdown caused by fair wear and tear, negligence, misuse, incorrect installation, chemical or additives in the water, inadequate protection against freezing, rain or other adverse weather conditions, corrosive or abrasive water, lightning or high voltage spikes or through unauthorised persons attempting repairs are not covered under guarantee. The product must only be connected to the voltage shown on the nameplate.
6. Without limiting the original purchaser's entitlements under the Trade Practices Act (Aust.), the Goods & Consumer Protection Legislation of the various Australian states, or the Consumers Guarantee Act 1993 (NZ), Davey shall not be liable for any loss of profits or any consequential, indirect or special loss, damage or injury of any kind whatsoever arising directly or indirectly from the product or any defect.

7. Where the Trade Practices Act (Aust.), the Goods and Consumer Protection Legislation of the various Australian states and the Consumers Guarantee Act 1993 (NZ) does not apply. Davey shall not be liable for any loss of profits or any consequential, indirect or special loss, damage or injury of any kind whatsoever suffered by the purchaser arising directly or indirectly from the product or any defect and the purchaser shall indemnify Davey against any claim by any other person whatsoever in respect of any such loss, damage or injury.

8. Nothing in this guarantee is intended to have the effect of contracting out of the provisions of the Trade Practices Act (Aust.), the Goods and Consumer Protection Legislation of the various Australian states and Consumers Guarantee Act 1993 (NZ) except to the extent permitted by the various Acts and this guarantee is to be modified to the extent necessary to give effect to that intention.

9. Davey may be collecting personal information from you in order to provide you with a service. Davey Water Products Pty Ltd promises only to use this information in accordance with the Provisions of the Privacy Act 1988 (Cth) and the Privacy Policy of Davey Water Products Pty Ltd which is available at [davey.com.au](http://davey.com.au).

® Davey and TurboSweep are registered trade marks of Davey Water Products Pty Ltd.

© Davey Water Products Pty Ltd 2008.

**Davey Water Products Pty Ltd**  
Member of the GUD Group  
ABN 18 066 327 517

**Head Office and Manufacturing**

6 Lakeview Drive,  
Scoresby, Australia 3179  
Ph: +61 3 9730 9222  
Fax: +61 3 9753 4100  
Website: [davey.com.au](http://davey.com.au)

**Customer Service Centre**

Ph: 1300 367 866  
Fax: 1300 369 119  
E-mail: [sales@davey.com.au](mailto:sales@davey.com.au)

**Interstate Offices**

Sydney • Brisbane • Adelaide  
Perth • Townsville

**International**

6 Lakeview Drive,  
Scoresby, Australia 3179  
Ph: +61 3 9730 9121  
Fax: +61 3 9753 4248  
E-mail: [export@davey.com.au](mailto:export@davey.com.au)

**USA**

Website: [daveyusa.com](http://daveyusa.com)  
E-mail: [export@davey.com.au](mailto:export@davey.com.au)

**Davey Water Products  
– New Zealand**

7 Rockridge Avenue,  
Penrose, Auckland 1061  
Ph: +64 9 570 9135  
Fax: +64 9 527 7654  
Website: [daveynz.co.nz](http://daveynz.co.nz)  
E-mail: [sales@daveynz.co.nz](mailto:sales@daveynz.co.nz)

**Davey Spa – New Zealand**

2 Rothwell Avenue,  
North Harbour, Auckland 0632  
Ph: +64 9 415 8622  
Fax: +64 9 415 8621  
Website: [spa-quip.co.nz](http://spa-quip.co.nz)  
E-mail: [service@spa-quip.co.nz](mailto:service@spa-quip.co.nz)

P / N MK603301-1